



## tM-7561

Tiny USB to Isolated RS-485 Converter

### Features

- Fully Compliant with the USB 1.1/2.0 (High Speed)
- Power and data flow indicator for troubleshooting
- 2500 Vdc Isolation Protection on the RS-485 side
- Driver Supports Windows 98/ME/2000/XP (32/64-bit)/Vista (32/64-bit)/7 (32/64-bit)/8 (32/64-bit)/10 (64-bit)/Linux
- No External Power Supply required
- Automatic RS-485 Direction Control
- Low power consumption
- Cost-effective Converter
- Tiny packaging fits on your DIN-Rail Mounting



### Introduction

The tM-7561 is a cost-effective USB to RS-485 converter. Connecting the tM-7561 to a PC, you get one RS-485 port that allows you to access RS-485 devices through the USB interface. Like the I-7520, the tM-7561 contains "Self-Tuner" chip auto-tunes the baud rate and data format to the RS-485 network. The tM-7561 module derives its power from the USB port and doesn't need external power adapter.

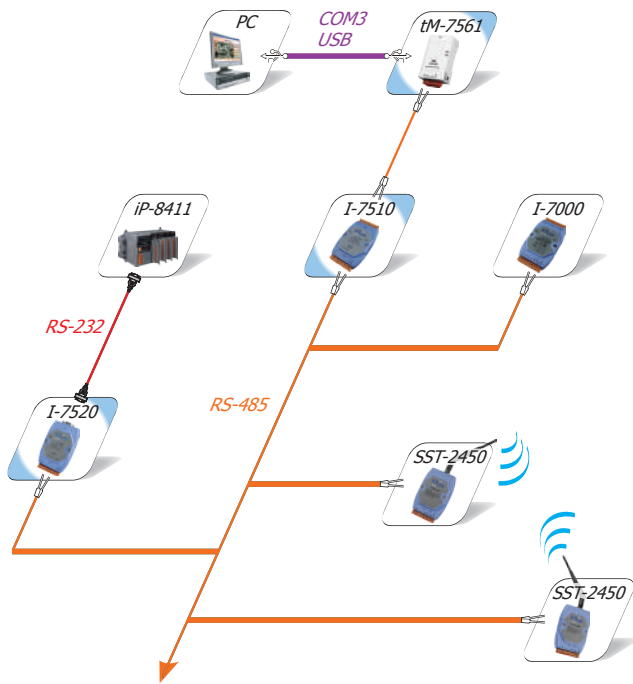
### Comparison Table of Converter

Models Name	tM-7561	I-7561/I-7561U
Serial Interface	Only RS-485	RS-232/422/485
Dimensions (W x L x H)	52 mm x 27 mm x 87 mm	72 mm x 35 mm x 115 mm
Remarks	Cost-effective, Entry-level	Entry-level

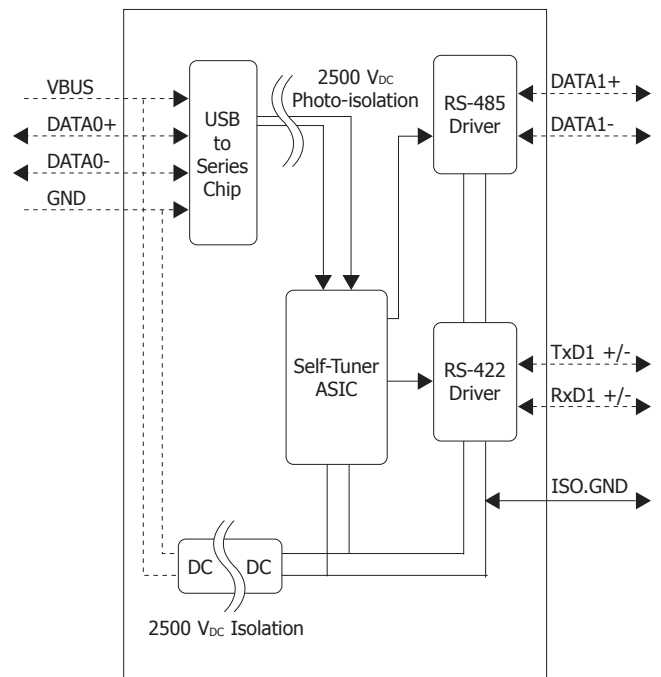
### System Specifications

Models		tM-7561
<b>Interface</b>		
USB		Fully Compliant with the USB 1.1/2.0/3.0
Serial Interface	RS-422	-
	RS-485	Data+, Data-
Serial Interface Transmission Distance		Max. 1,200 m at 9.6 kbps; Max. 400 m at 115.2 kbps (Belden 9841 2P twisted-pair cable, if different cables are used, the transmission distance may change)
Self-Tuner Asic Inside		Yes
Speed		300 ~ 115200 bps
Connector	RS-422/485	Removable 7-Pin Terminal Block
	USB	Type B
Cable Included		CA-USB18 (1.8 m Cable) x 1
<b>LED Indicators</b>		
Power		Yes
<b>Power</b>		
Input Voltage Range		+5 Vdc from USB
Power Consumption		0.4 W
<b>Mechanical</b>		
Casing		Plastic
Dimensions (W x L x H)		52 mm x 27 mm x 87 mm
Installation		DIN-Rail Mounting
<b>Environment</b>		
Operating Temperature		-25 °C ~ +75 °C
Storage Temperature		-30 °C ~ +75 °C
Humidity		10 ~ 90% RH, non-condensing

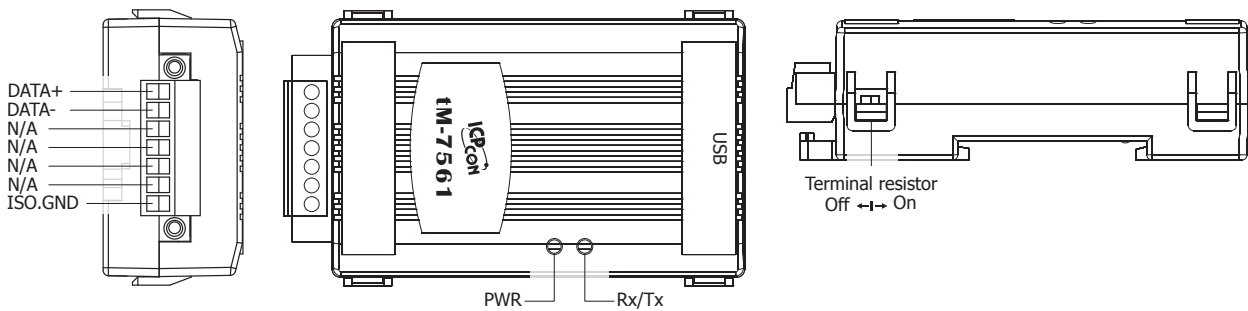
## Applications



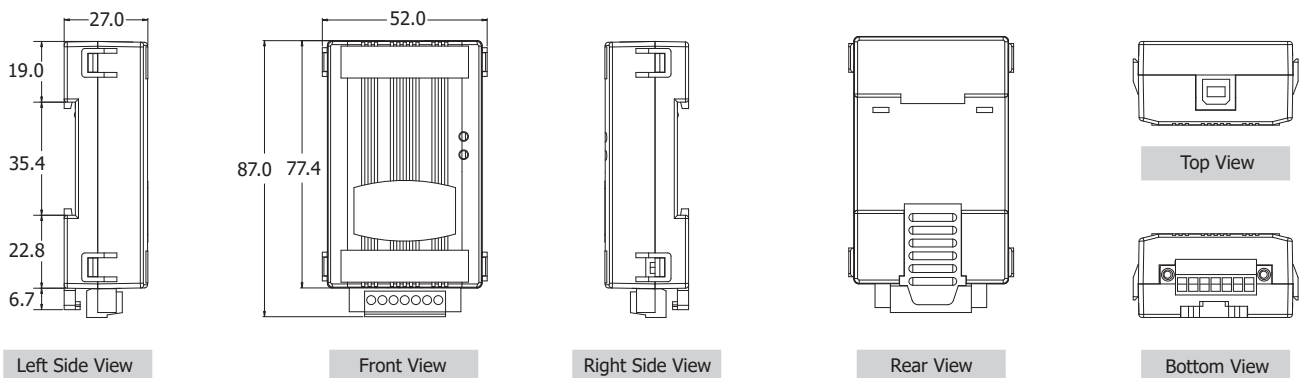
## Internal I/O Structure



## Pin Assignments



## Dimensions (Units: mm)



## Ordering Information

**tM-7561 CR** Tiny USB to Isolated RS-485 Converter with CA-USB18 Cable (RoHS)

## Accessories

**USB-2560 CR** 4-port Industrial USB 2.0 Hub (RoHS)